

## 钟振DIP14-35.000MHZ

### Features

- voltage(1.8V~5.0V)
- Output Waveform(cmos)
- Supports a WIDE FREQUENCY RANGE(20K to 800MHZ)
- Output Voltage:0.4~2.4VDC
- Compact with dimensions of 20.3×12.5×7.0mm



### Specifications

| 项目Item                   | 技术Specifications                  |             |
|--------------------------|-----------------------------------|-------------|
| 输出波形 Output Waveform     | 方波 (cmos)                         |             |
| 频率范围Freq. Range          | 35.000MHZ                         |             |
| 频率稳定性Frequency Stability | ±10PPm, ±20PPm, ±30PPm, ±50PPm    |             |
| 工作温度Operaing Temp        | -20℃ to 70℃ (-40℃to85℃available)  |             |
| 储存温度Storage Temp         | -55℃ to 125℃                      |             |
| 输出波形对称性 Output Symmetry  | 40-60%@1.4VDC(45-55%available)    |             |
| 电压Input Voltage:VDD      | +5.0Vdc±5% or +3.3Vdc±5%available |             |
| 电流Input Current:IDD      | 100KHz to 70MHz, ≤20mA            |             |
|                          | 70MHz to 200MHz, ≤40mA            |             |
|                          | ≥200.00MHz, ≤60mA                 |             |
| 上升时间Rise Time            | TR                                | ≤6ns        |
| 下降时间Fall Time            | TF                                | ≤6ns        |
| 输出电压Output Voltage       | VOL                               | 0.4Vdc Max. |
|                          | VOH                               | 2.4Vdc Min. |
| 输出负载Output Load          | 10LSTTL                           |             |
| 起动时间Start up Time        | <10ms                             |             |
| 老化能力 Agek Resistance     | ±3PPm Max                         |             |

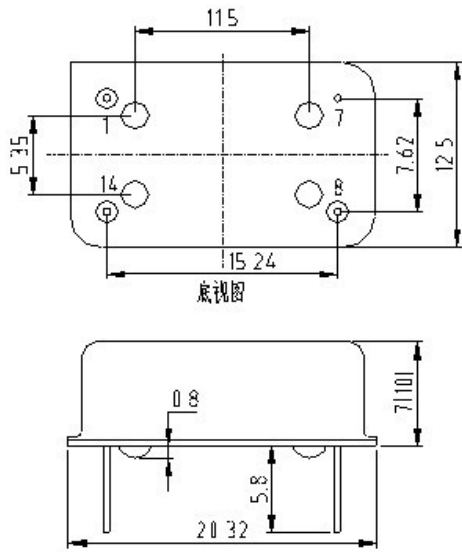
### Ordering Information



### 输出波形图



## Dimensions



### 管脚功能

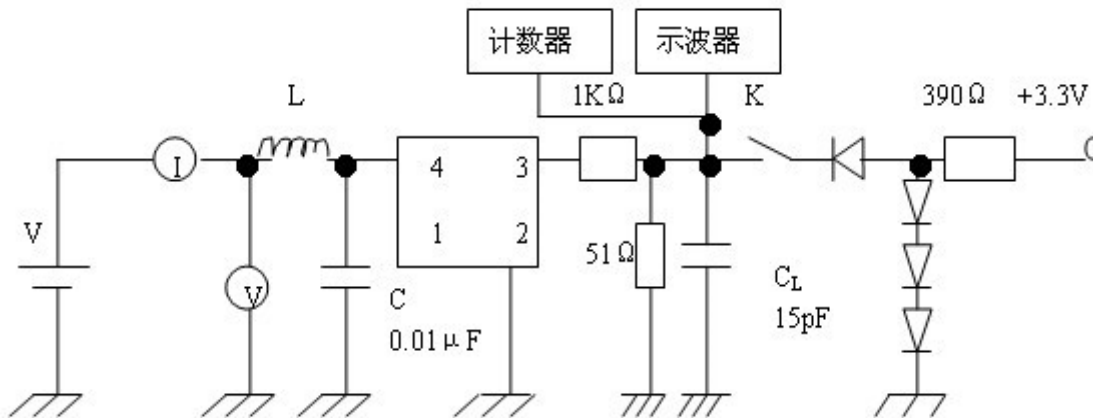
1: VC/NC

7: GND

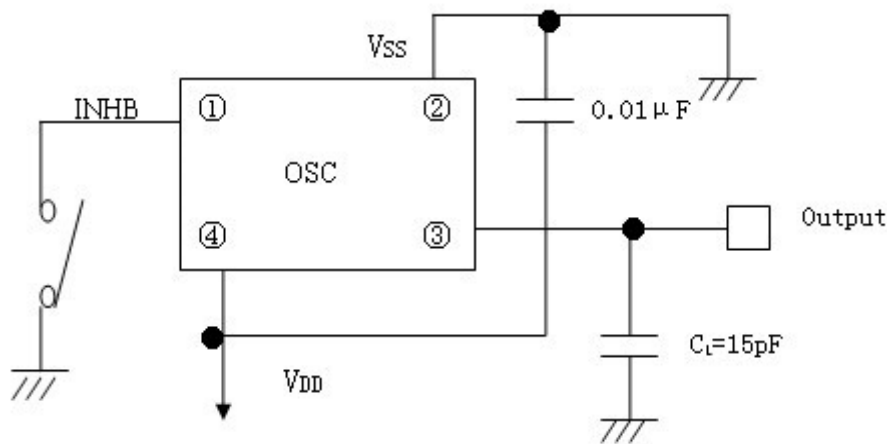
8: OUT

14: VCC (+5.0 VDC)

## 测试电路图



## 使用电路图和引出端功能说明



|                                   |               |            |
|-----------------------------------|---------------|------------|
| 引脚                                | 1             | 2          |
| 功能                                | 输出状态控制/NC     | 地VSS       |
| 引脚                                | 3             | 4          |
| 功能                                | 输出QOUT        | 电源VDD      |
| 输出控制端 INHB                        | “H”高电平或开路OPEN | “L”低电平(三态) |
| 输出Qout                            | 振荡器正常输出       | 高阻抗        |
| 注意：输出状态控制端INHB（三态端）不能接地，否则振荡器呈高阻抗 |               |            |