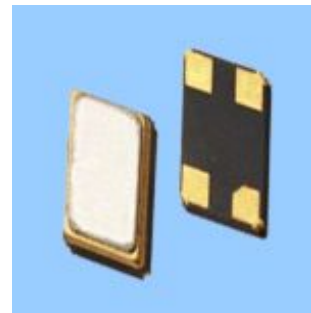


## SMD32254P

### Features

A small surface-mount type crystal unit, ideal for OA, AV and Accessories for a car, which need performance for wide temperature range.

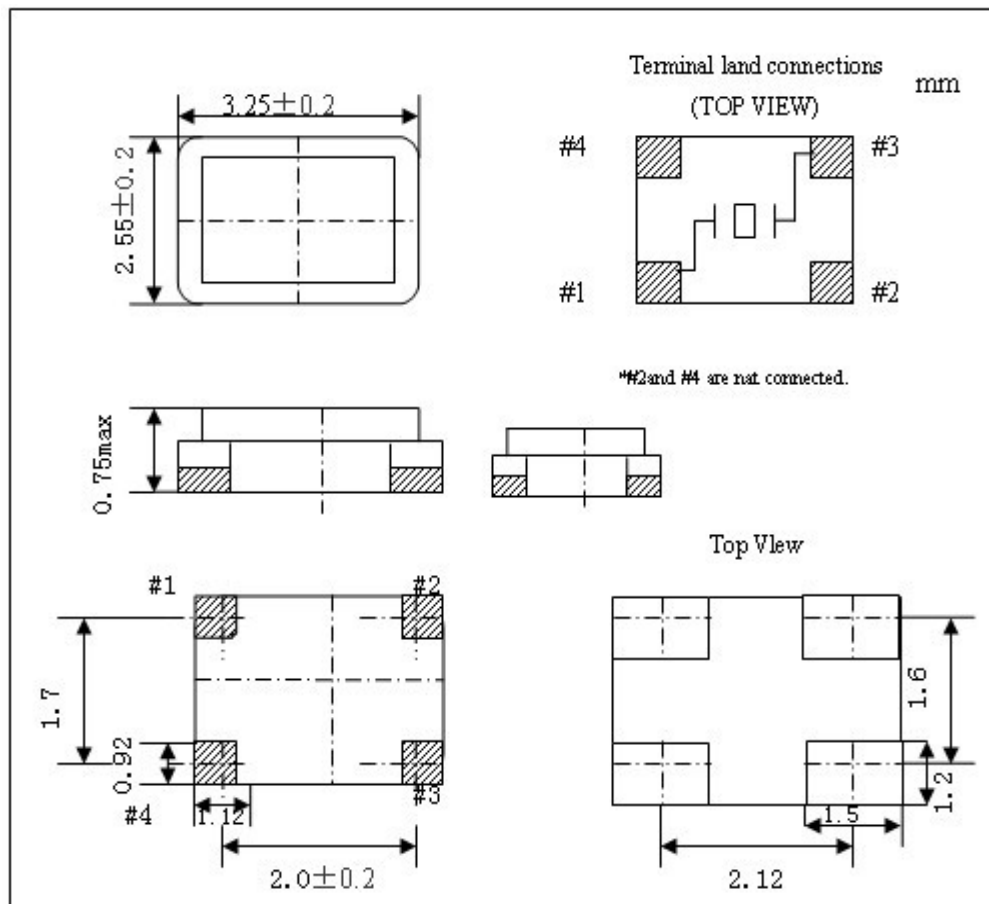
- Compact and thin. (3.2×2.5×0.7mm typ.)
- Excellent electrical performance, ideal for OA and AV applications.
- Excellent environmental performance, including heat and shock resistance.
- Meets the requirements for re-flow profiling using lead-free solder.



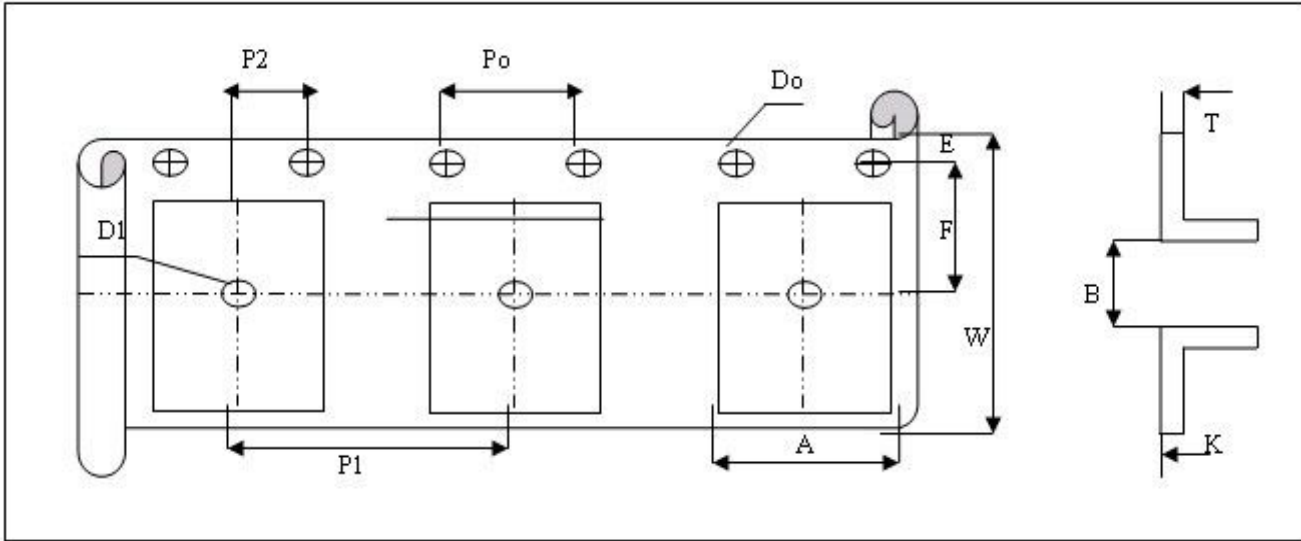
### Specifications

| 项目Item                     | 技术Specifications            | 备注Remarks                    |
|----------------------------|-----------------------------|------------------------------|
| 频率范围Freq. Range            | 24.540MHz                   | Fund. ; AT-Cut               |
| 调整频差Freq. Tol.             | ±10PPm <sup>~</sup>         | Others are offered 25°C ±3°C |
| 负载电容Load Capacitance       | Fund. ; 7pF <sup>~</sup>    | 明确注释please specify           |
| Series Resistance          | As ESR table                |                              |
| Storage Temperature        | ±10PPm <sup>~</sup>         | 可依实际而定Others are offered     |
| 工作温度Operaing Temp          | -20°C to 70°C -40°C to 85°C | 可依实际而定Others are offered     |
| 储存温度Storage Temp           | -55°C to 125°C              |                              |
| 最大值Max, drive level        | 1000 μW                     |                              |
| 建议使用Rec, drive level       | 100 μW                      |                              |
| 静电容 Shunt Capacitance      | 5pF Max                     |                              |
| 绝缘电阻 Insulation Resistance | 500m Ω Min                  | Minimum                      |
| 老化率Aging                   | ±2PPm/Year Max              | Maximum                      |

### Dimensions

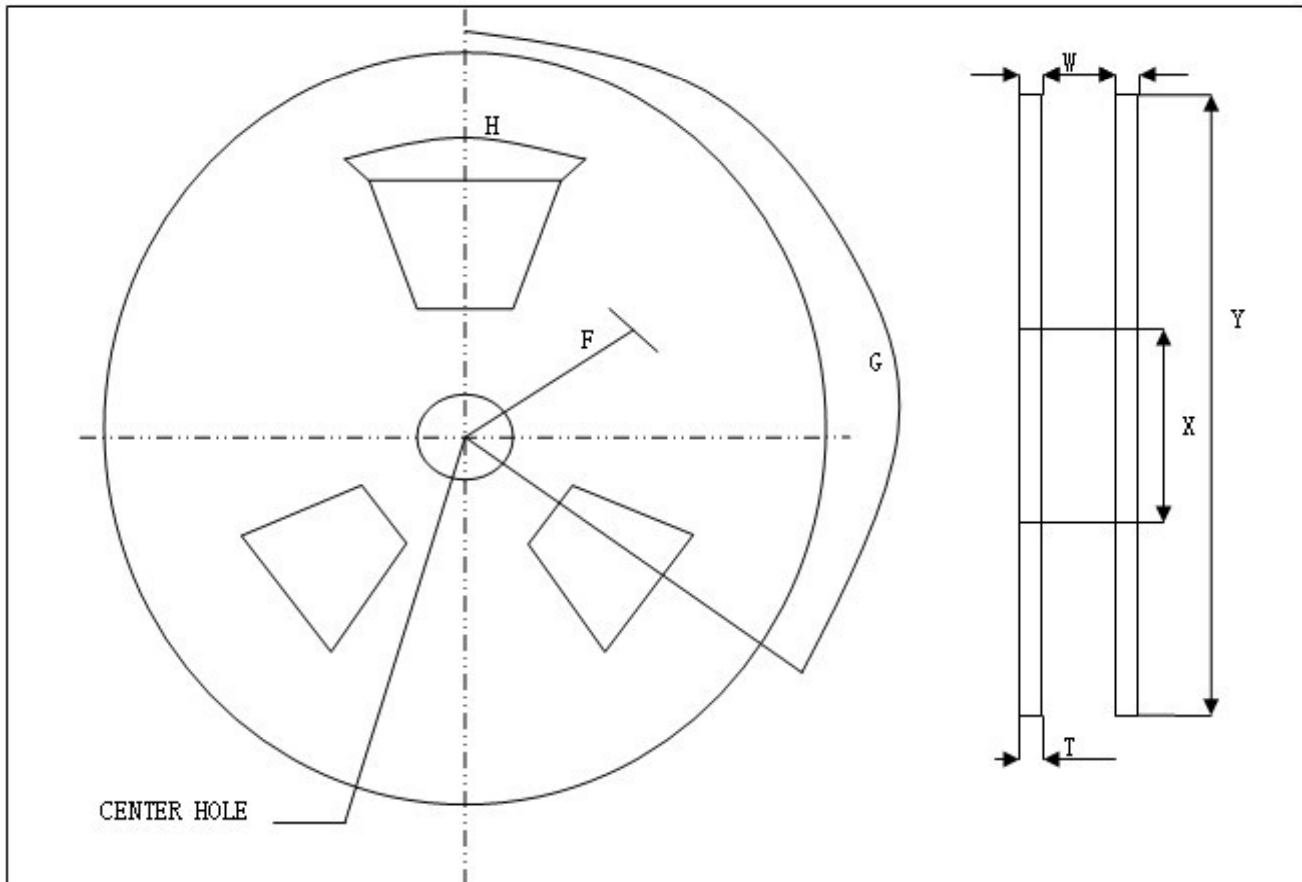


## ■ Taping Specification



|           |         |     |     |     |   |      |
|-----------|---------|-----|-----|-----|---|------|
| Symbol    | A       | B   | Do  | D1  | E | F    |
| DIMENSION | 3.2*2.5 | 2.8 | 3.5 | 1.5 | 1 | 1.75 |
| Symbol    | K       | Po  | P1  | P2  | T | W    |
| DIMENSION | 3.2*2.5 | 1   | 4   | 8   | 2 | 0.25 |

Unit:mm



|           |         |     |        |     |      |   |    |
|-----------|---------|-----|--------|-----|------|---|----|
| Symbol    | H       | F   | G      | W   | T    | X | Y  |
| Dimension | 3.2*2.5 | 40° | 21±0.8 | 120 | 17.5 | 2 | 50 |