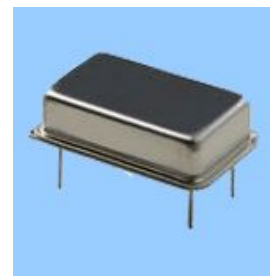


## 钟振DIP14-24.576MHZ

### Features

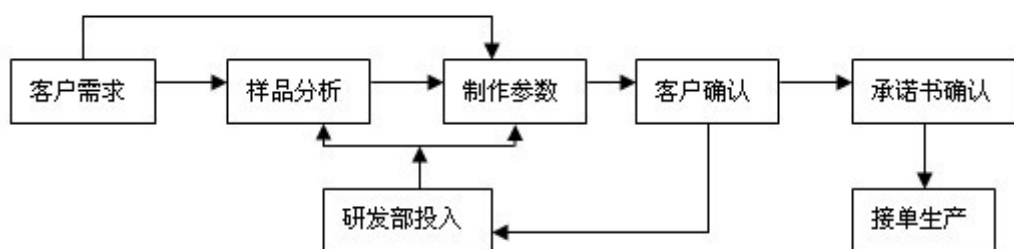
- voltage(1.8V~5.0V)
- Output Waveform(TTL)
- Supports a WIDE FREQUENCY RANGE(20K to 800MHZ)
- Output Voltage:0.4~2.4VDC
- Compact with dimensions of 20.4×12.5×7.0mm



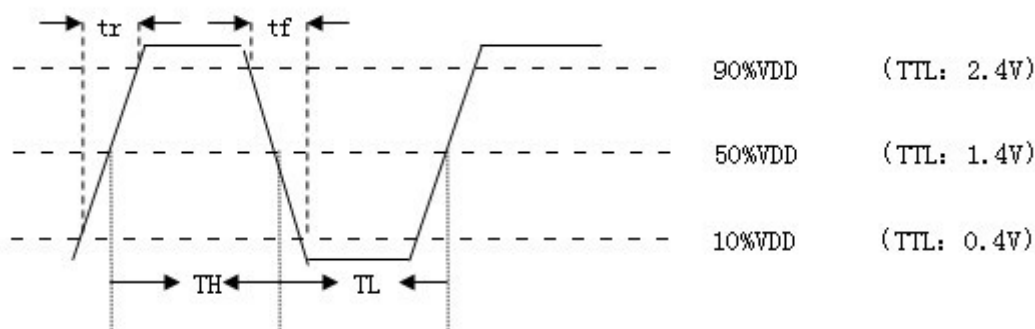
### Specifications

| 项目Item                   | 技术Specifications                        |             |
|--------------------------|---|-------------|
| 输出波形 Output Waveform     | 方波 (TTL)                                |             |
| 频率范围Freq. Range          | 24.576MHZ                               |             |
| 频率稳定性Frequency Stability | ±10PPm, ±20PPm, ±30PPm, ±50PPm          |             |
| 工作温度Operaing Temp        | -20°C to 70°C (-40°C to 85°C available) |             |
| 储存温度Storage Temp         | -55°C to 125°C                          |             |
| 输出波形对称性 Output Symmetry  | 40-60%@1.4VDC (45-55% available)        |             |
| 电压Input Voltage:VDD      | +5.0Vdc ±5% or +3.3Vdc ±5% available    |             |
| 电流Input Current:IDD      | 100KHz to 70MHz, ≤20mA                  |             |
|                          | 70MHz to 200MHz, ≤40mA                  |             |
|                          | ≥200.00MHz, ≤60mA                       |             |
| 上升时间Rise Time            | TR                                      | ≤6ns        |
| 上降时间Fall Time            | TF                                      | ≤6ns        |
| 输出电压Output Voltage       | VOL                                     | 0.4Vdc Max. |
|                          | VOH                                     | 2.4Vdc Min. |
| 输出负载Output Load          | 10LSTTL                                 |             |
| 起动时间Start up Time        | <10ms                                   |             |
| 老化能力 Agek Resistance     | ±3PPm Max                               |             |

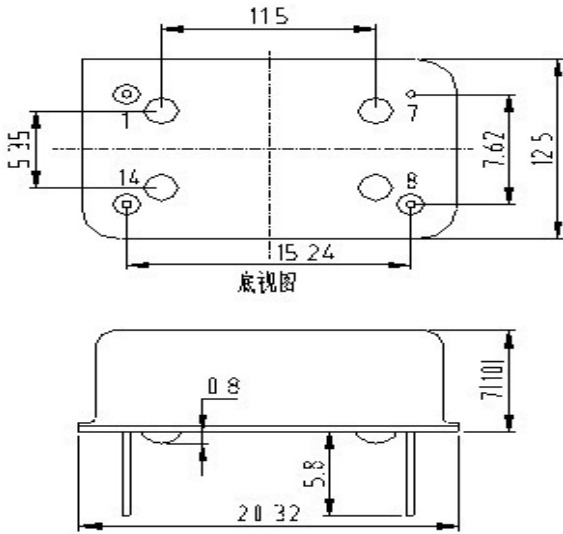
### Ordering Information



### 输出波形图



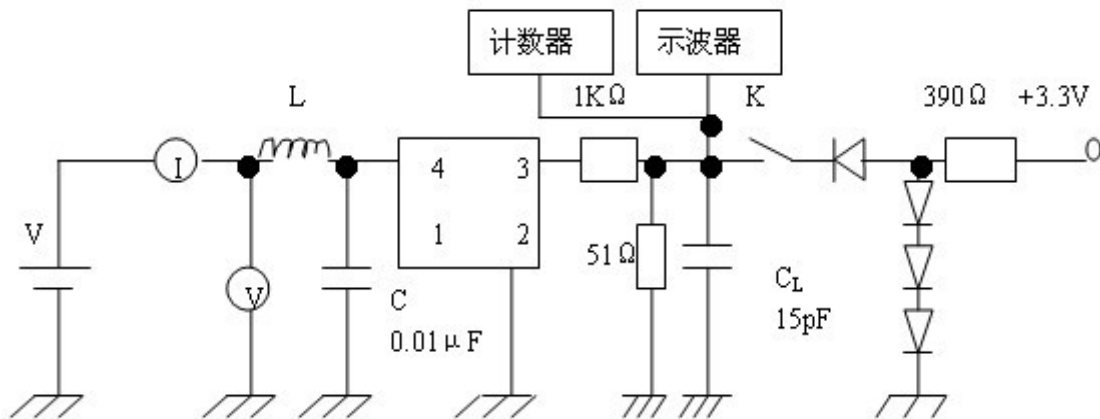
## ■ Dimensions



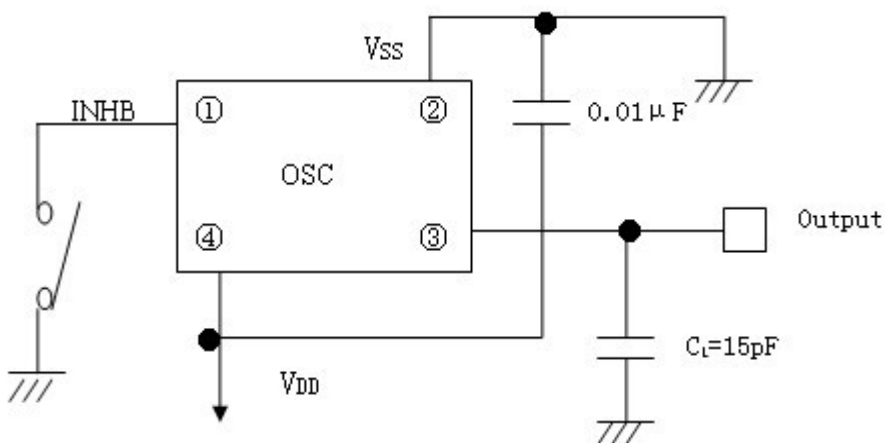
### 管脚功能

- 1: VC/NC
- 7: GND
- 8: OUT
- 14: VCC (+5.0 VDC)

## ■ 测试电路图



## ■ 使用电路图和引出端功能说明



|                                   |               |            |
|-----------------------------------|---------------|------------|
| 引脚                                | 1             | 2          |
| 功能                                | 输出状态控制/NC     | 地VSS       |
| 引脚                                | 3             | 4          |
| 功能                                | 输出QOUT        | 电源VDD      |
| 输出控制端 INHB                        | “H”高电平或开路OPEN | “L”低电平（三态） |
| 输出Qout                            | 振荡器正常输出       | 高阻抗        |
| 注意：输出状态控制端INHB（三态端）不能接地，否则振荡器呈高阻抗 |               |            |